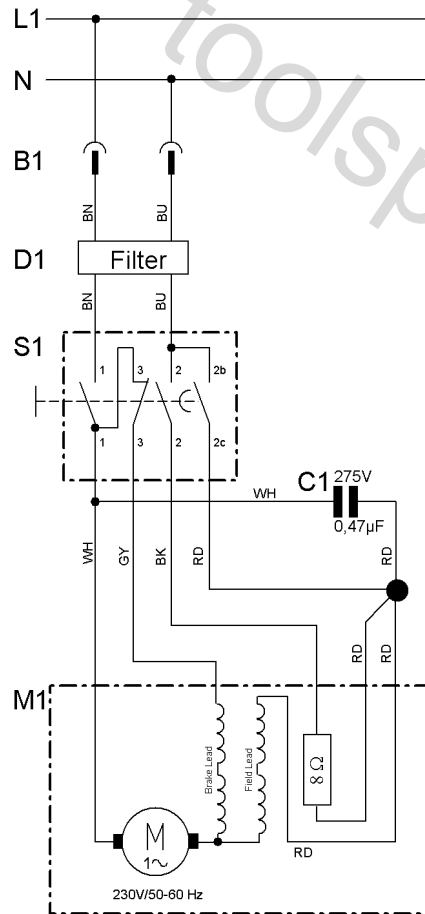


Position	Amount	Type number	Description	PG
1	1	1010712064	TRANSPORT PROTECTION KGS 305	20
2	1	1010712382	TURNTABLE KGS 305	56
3	1	1010712129	POINTER KGS 305	14
4	1	1010712161	GLIDE SEGMENT KGS 305	14
5	1	1010712145	Turntable for KGS 305	32
6	1	1010712390	TABLE SIDE EXTENSION KGS 305	36
7	1	1010712374	GUIDE PLATE KGS 305	32
8	1	1010712404	TABLE SIDE EXTENSION KGS 305	36
9	1	1010712153	RUBBER FOOT SET KGS 305	18
10	1	1010730836	SAW BLADE GUARD	36
11	1	1010712072	SWIVEL LEVER ASSEMBLY KGS 305	28
12	1	1010712927	SEAT+BLADE COLLAR, OUTER KGS 305	32
13	1	1010712099	RETRACTABLE BLADE GUARD KGS 305	32
14	1	1010712056	Spring with guidance	29
15	1	1380712420	AUXILIARY FENCE KGS 305	33
16	1	1380712438	AUXILIARY FENCE KGS 305	33
17	1	1010712366	HARDWARE BAG KGS 305	29
18	1	1380712411	FENCE KGS 305	34
19	1	1010712048	POINTER KGS 305	14
20	1	1010712110	KERF PLATE KGS 305	22
21	1	1010712315	Stabilisator KGS 305	29
22	1	1010712137	FEED ROD KGS 305	48
23	1	1010712323	Pivot compl.,KGS305	52
24	1	1010712455	REPAIR KIT KGS 305	48
25	1	1010712307	SHIM PLATE KGS 305	27
26	1	1010712331	SWIVEL CASTING KGS 305	42
27	1	1010712340	Rastereinheit f.Kippsegment KGS 305	33
28	1	1010712935	MOTOR, CROSSCUT AND MITRE SAW KGS 305	60
29	1	1010712200	END CAP KGS 305	18
30	1	1010712943	CARBON BRUSH SET KGS 305	23
31	1	1010712951	ARMATURE ASSEMBLY KGS 305	52
32	1	1010712226	TRANSMISSION ASSEMBLY KGS 305	47
33	2	2391729746	PLUG-IN BUFFER KGS 305	12
34	1	1010712102	DUST EXTRACTION PORT KGS 305	17
35	1	1010712293	FENCE KGS 305	24
36	1	1010712218	LOCK KGS 305	16
39	1	7233712447	POLY-RIB BELT 8 PJ 584 KGS 305	33
40	1	8051732155	Shunt Resistor 8 Ohm	32
42	1	1010712870	SWITCH ASSEMBLY KGS 305	43
43	1	1010712277	HANDLE, PVC HOUSIN KGS 305	28
45	1	1010712889	INTERLOCK RELEASE, ASS'Y KGS 305	25

46	1	1010712897	TERMINAL BOX ASSEMBLY KGS 305	25
48	1	1010730844	BELT GUARD BERNER BMS-315	26
49	1	1010712960	TABLE KGS 305	56
50	1	1010712986	BEVEL TILT SCAL KGS 305	16

toolspareparts.com.au



	Litzenfarben	Colour of strands	Couleur des cordons
BK	schwarz	black	noir
WH	weiß	white	blanc
BU	blau	blue	bleu
YE	gelb	yellow	jaune
RD	rot	red	rouge
TR	transparent	transparent	transparent
BN	braun	brown	brun
GY	grau	grey	gris
GNYE	grün-gelb	green-yellow	vert-jaune
BKWH	schwarz-weiß	black-white	noir-blanc
GN	grün	green	vert
OG	orange	orange	orange
VT	violett	violet	violet
TQ	türkis	turquoise	turquoise

	Bedeutung der Kurzzeichen	Meaning of the symbols	Interprétation des symboles
B	Stecker	plug	fiche
C	Kondensator	condenser	condensateur
D	Funkentstördrossel	interference suppression inductance	inductance d'antiparasitage
E	Elektronik-Baustein	electronic unit	unité électronique
I	Induktionsspule	induction coil	bobine d'inductance
K	Klemme	terminal	borne
L	Licht	light	lumière
M	Motor	motor	moteur
O	Überlastschutz	overload cut-out	déclencheur de surintensité
R	Drehrichtungsumschalter	reversing switch	commutateur droite-gauche
S	Schalter	switch	interrupteur
U	Umschalter	change-over switch	commutateur
X	Elektronik-Element	electronic element	élément électronique